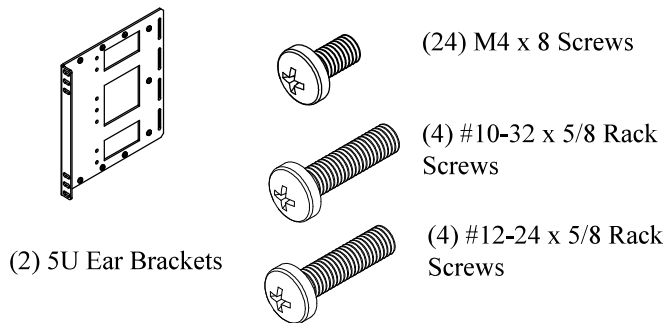
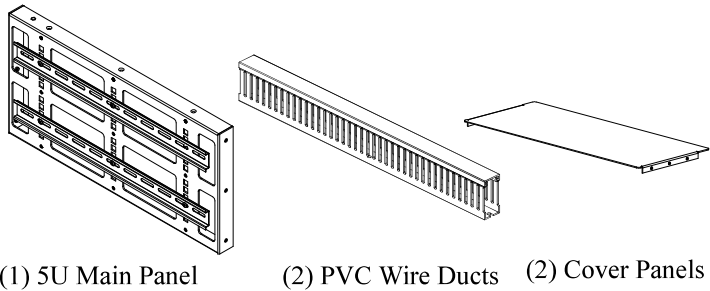


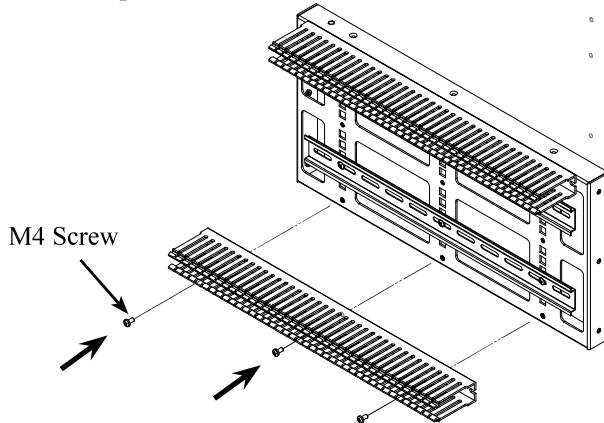
IRP208DB-5U 5U DIN Rail Box Installation

Included in this package

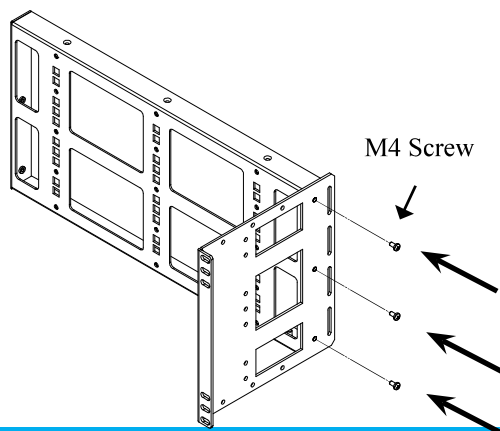


Installation Steps

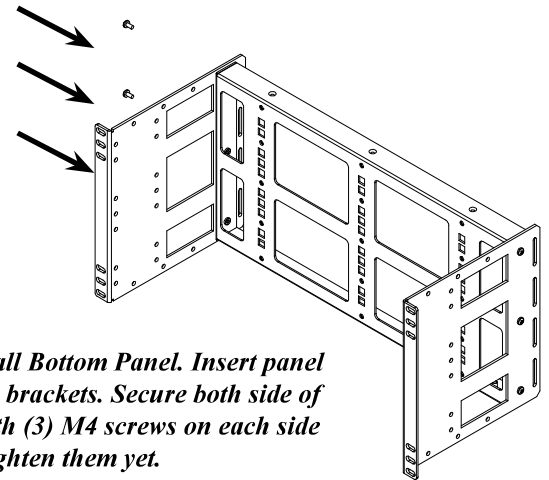
Step 1 Install Top & Bottom PVC Wire Ducts.



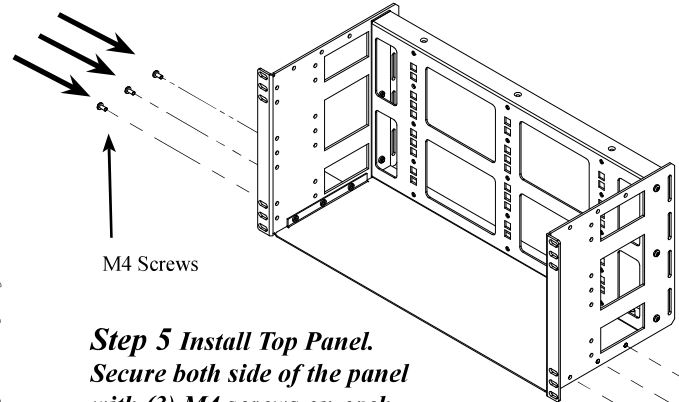
Step 2 Install Right Side Bracket. Secure side brackets with M4 screws but do not tighten them yet.



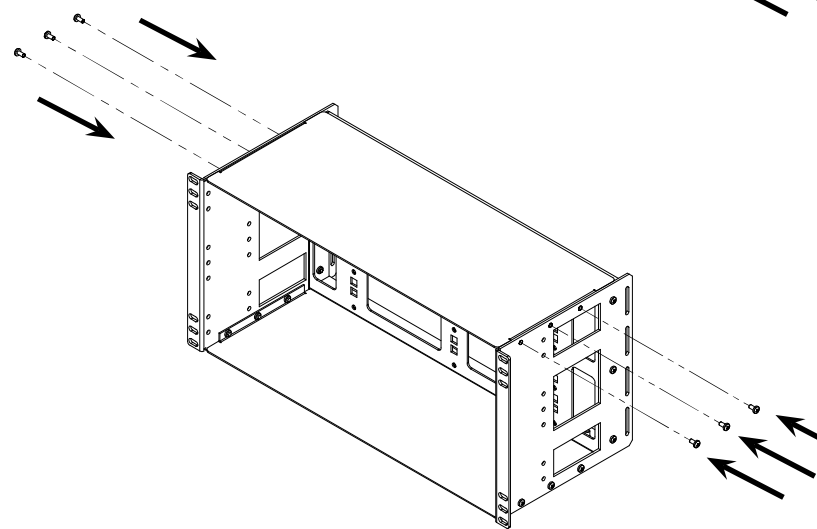
Step 3 Install Left Side Brackets. Secure side brackets with M4 screws but do not tighten them yet.



Step 4 Install Bottom Panel. Insert panel between side brackets. Secure both side of the panel with (3) M4 screws on each side but do not tighten them yet.



Step 5 Install Top Panel. Secure both side of the panel with (3) M4 screws on each side but do not tighten them yet.



Step 6 Tighten all M4 screws on both right and left hand side. Makes sure all panels and brackets are secured and not moving. Assembly complete.